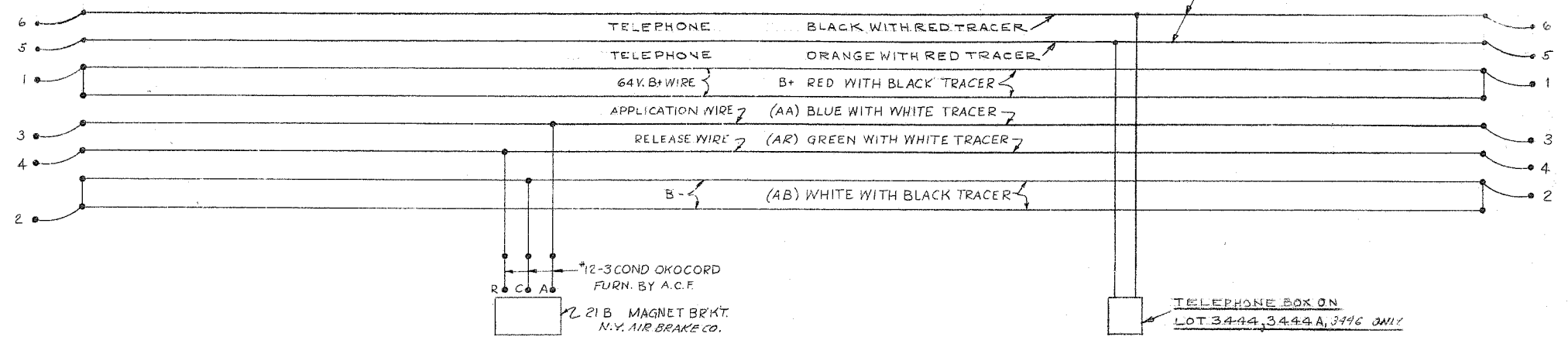


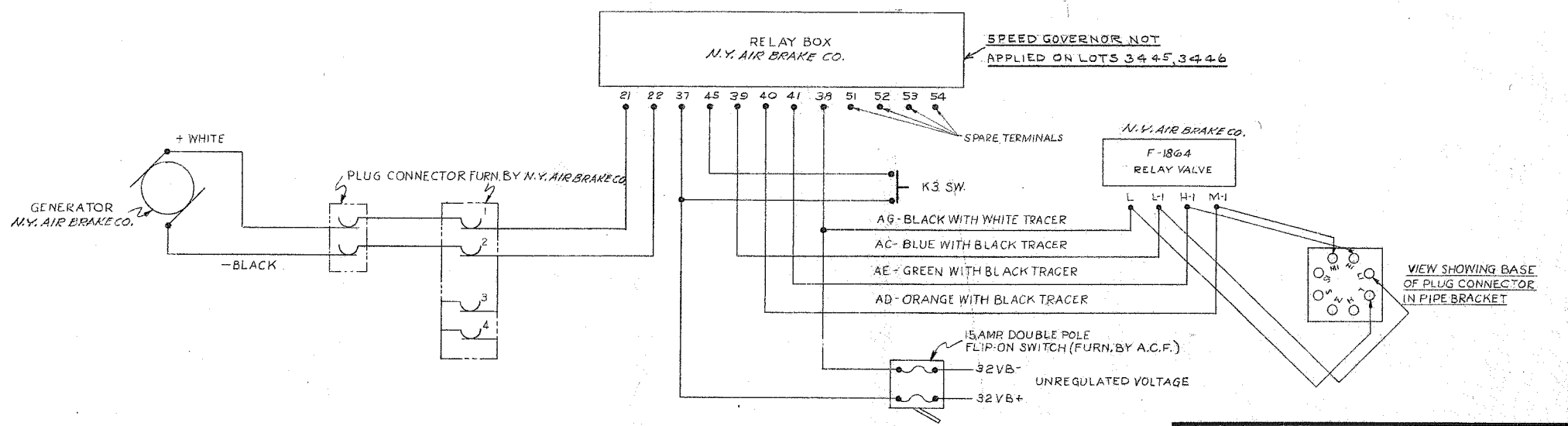
SC12

3442-3443-3445
 LOT 3444-3444A-3446



*12-3 COND. OKOCORD
 FURN. BY A.C.F.
 21 B MAGNET BRKT.
 N.Y. AIR BRAKE CO.

TELEPHONE BOX ON
 LOT 3444, 3444A, 3446 ONLY



SPEED GOVERNOR NOT
 APPLIED ON LOTS 3445, 3446

VIEW SHOWING BASE
 OF PLUG CONNECTOR
 IN PIPE BRACKET

ALL WIRES TO BE #12 GA.

CC	REV	DESCRIPTION	A	B	C
CC	1-1-50	A	ADDED TELEPHONE WIRING.		
UNR	1-23-50	B	ADDED TELEPHONE LOT 3446		
CC	11-7-50	C	ADDED TELEPHONE WIRE LOT 3442-3443-3445		

AMERICAN CAR AND FOUNDRY CO.
 ~ 3675288 ~
 WIRING DIAGRAM
 TRAINLINE, SPEED GOVERNOR
 11-15-48

SHOP MARK	No. PER CAR	LOT
		3446
		3445
		3444A
		3444
		3443
		3442
		3124
		3123
		3122

a.c.f.