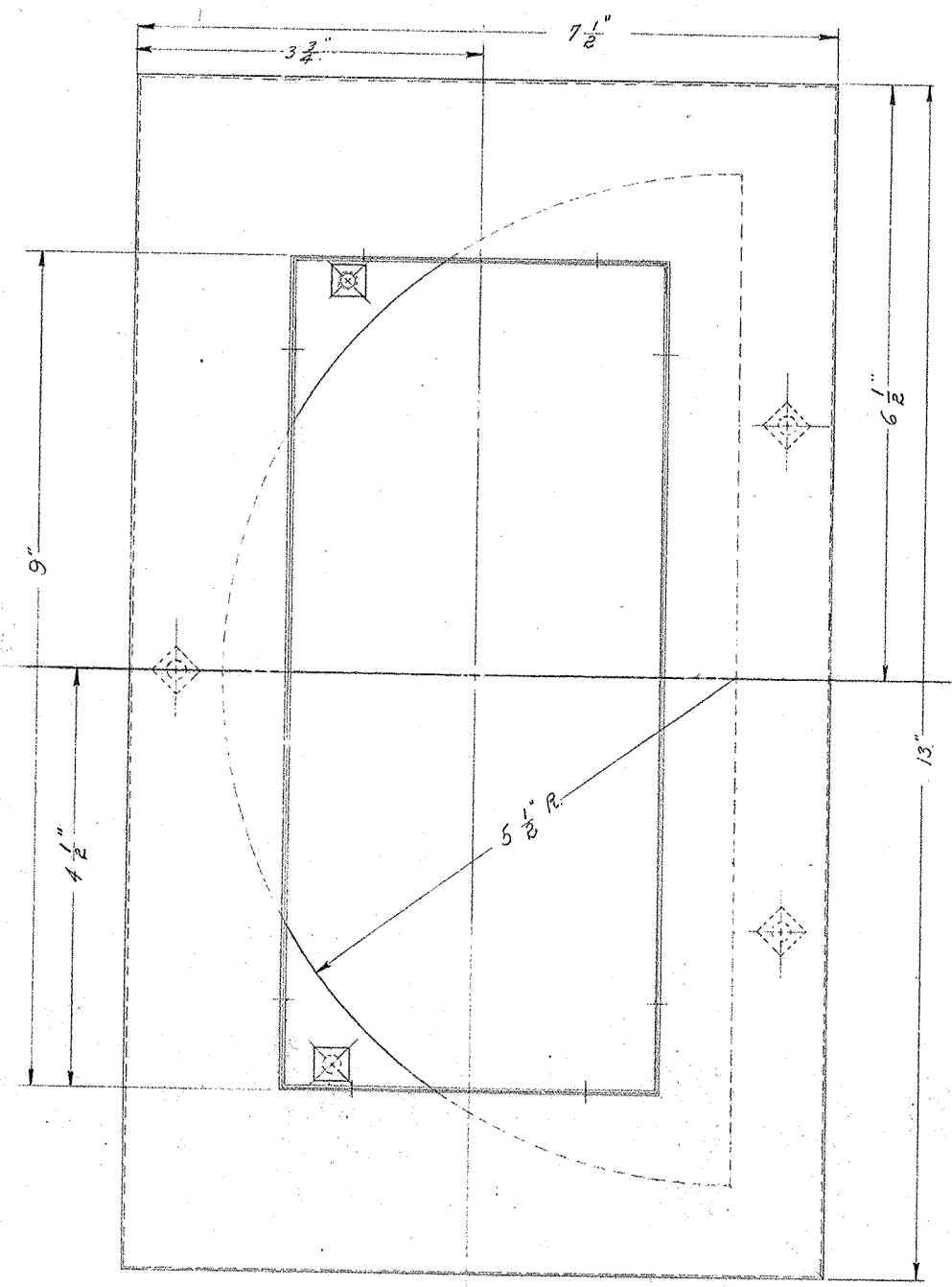
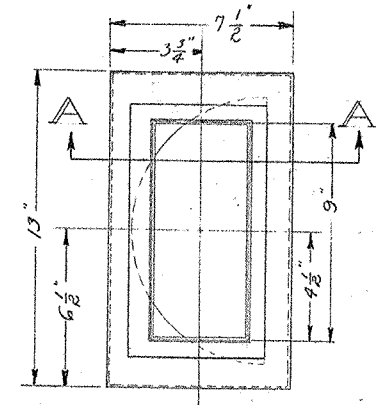


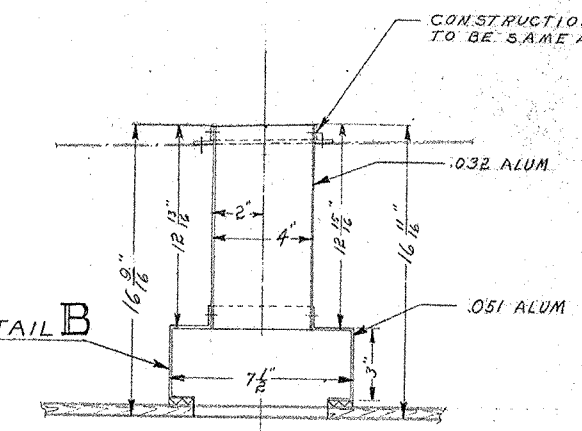
SEE DETAIL B



DETAIL B

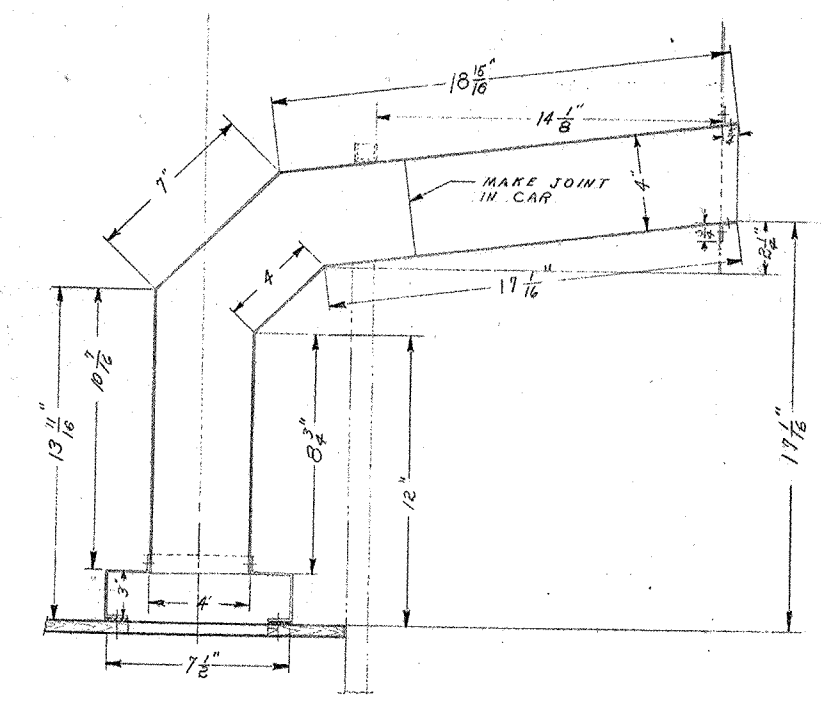


CONSTRUCTION OF COLLAR TO BE SAME AS SECTION CC



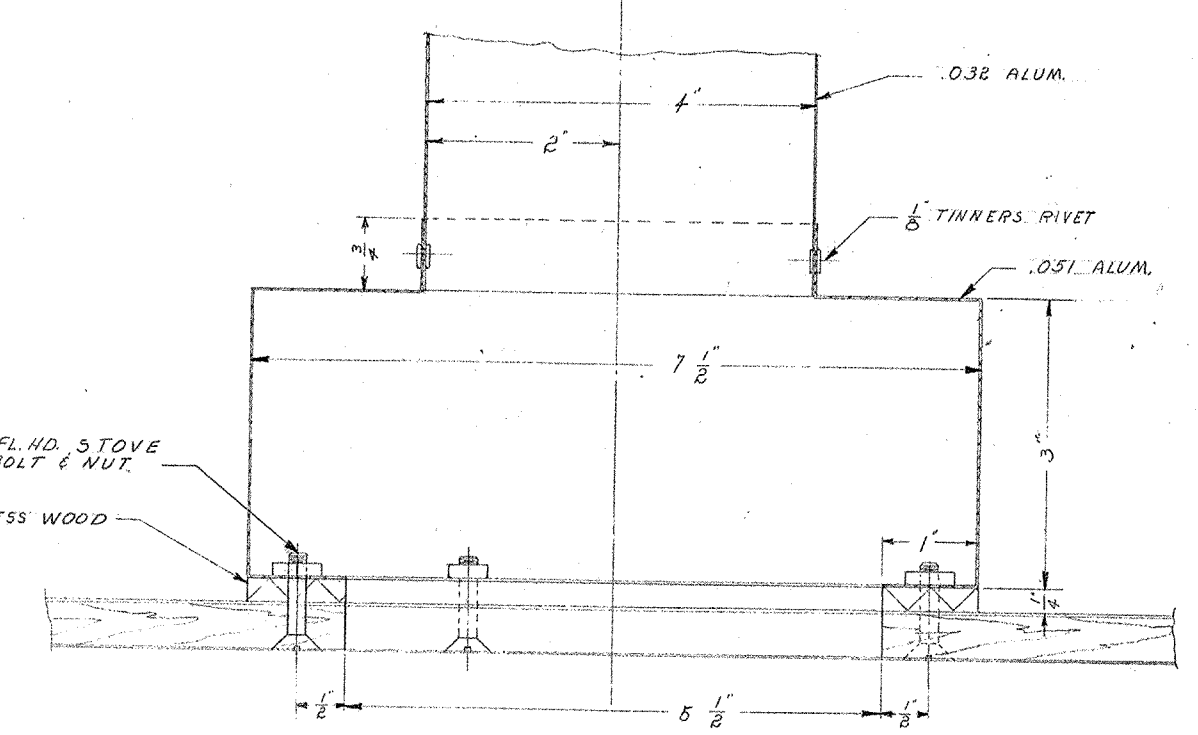
SEE DETAIL B

AIR DUCT FOR ANEMOSTAT 10-W IN PASSAGEWAY BETWEEN KITCHEN AND DINING ROOM



AIR DUCT FOR ANEMOSTAT 10-W IN PASSAGEWAY BY KITCHEN

3/8\"/>



SECTION A-A

NOTE: FOR LOCATION OF ANEMOSTATS ON CEILINGS SEE DWG. # 667854B  
FOR LOCATION OF ANEMOSTAT AIR DUCTS IN MAIN AIR DUCT SEE DWG. NOS. 6675382 & 6675742

SHOP MARK	No. PER CAR	LOT

AMERICAN CAR AND FOUNDRY CO.

4675746

AIR DUCTS FOR ANEMOSTATS IN PASSAGEWAY

a.c.f.

4-6-49